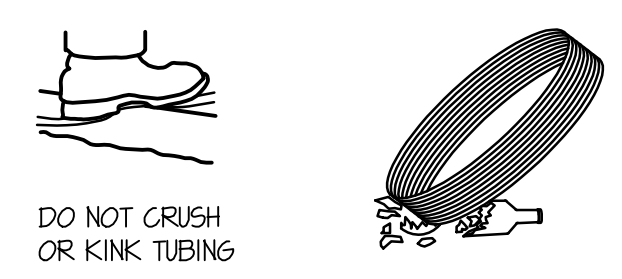


PEX PIPING  
 KEEP TUBING A MINIMUM OF 12" VERTICALLY OR 6" HORIZONTALLY FROM SOURCES OF HIGH HEAT SUCH AS LIGHT FIXTURES, FLUES OR HEATING EQUIPMENT.

NOTE:  
 USE ONLY CONTINUOUS LENGTH TUBING (NO FITTINGS) WHEN INSTALLING PEX UNDER OR WITHIN A SLAB. PROTECT PEX TUBING WITH NONMETALLIC SLEEVES WHERE IT PENETRATES A SLAB OR FOUNDATION WALL.

**MIN. CLEARANCES**

TUBING SIZE	MIN. RADIUS BENDING
3/8"	4"
1/2"	5"
3/4"	7"
1"	9"

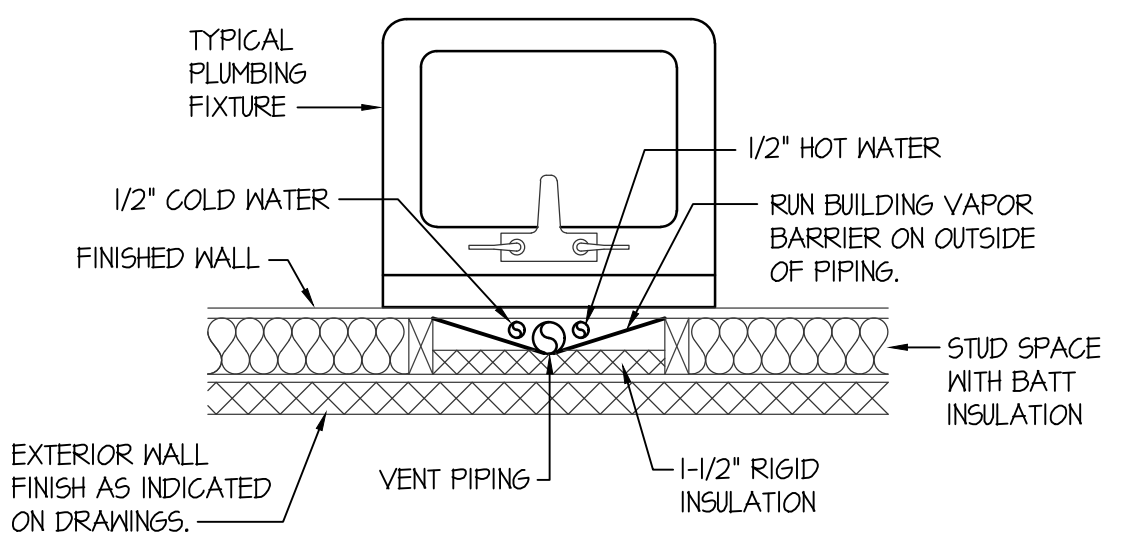


TUBING AND FITTINGS SHALL BE STORED UNDERCOVER FOR CLEANLINESS AND TO AVOID EXPOSURE TO SUNLIGHT. CONSULT MANUFACTURER FOR RECOMMENDED LIMITS TO OUTSIDE STORAGE.

DO NOT DRAG TUBING OVER ROUGH TERRAIN, ROCKS, OR ANY SURFACE THAT CAN CUT, PUNCTURE OR DAMAGE TUBING WALL.

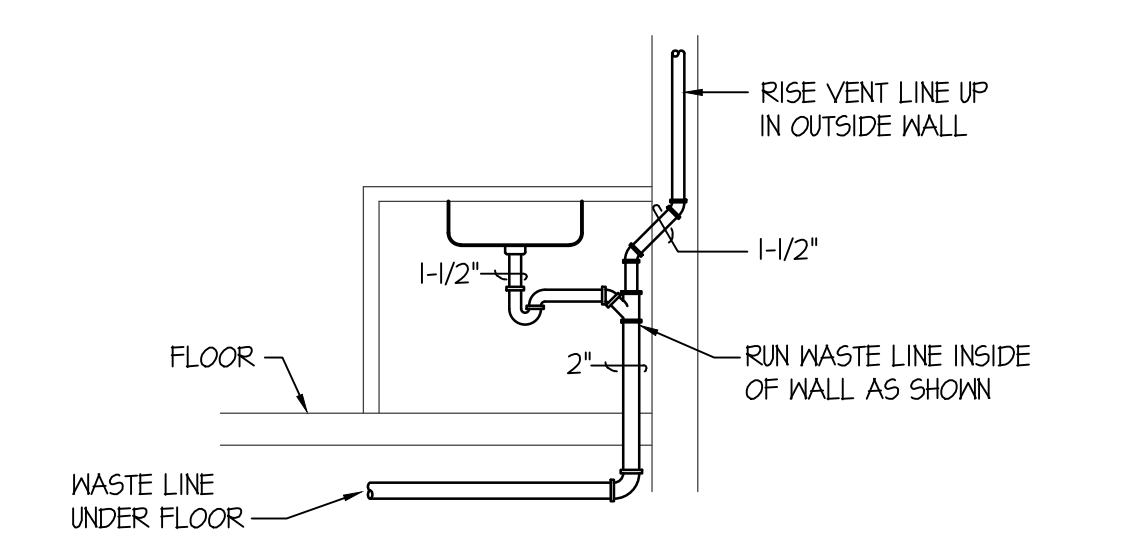
**PEX PIPE HANDLING DETAILS**

NO SCALE



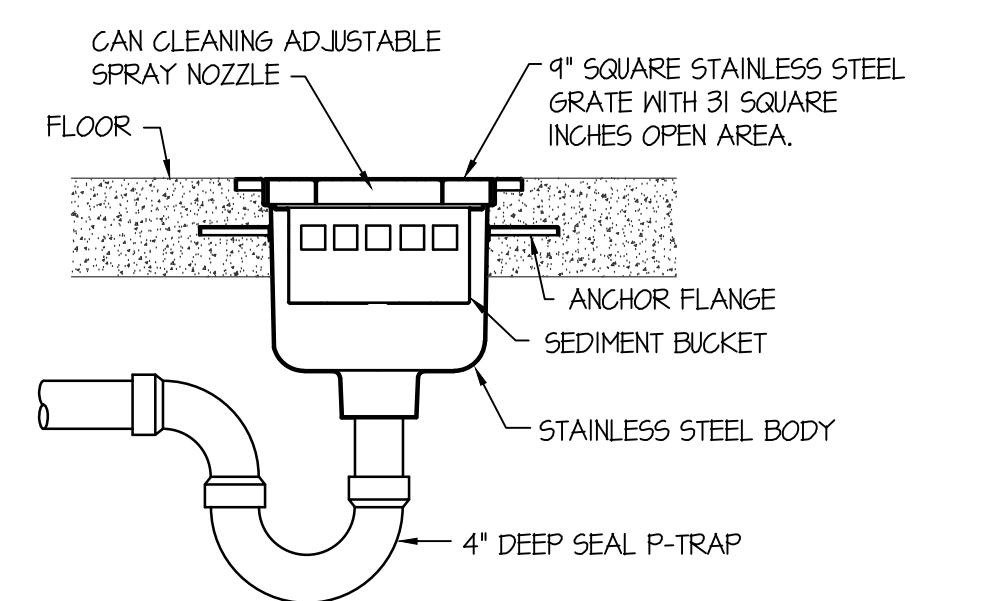
**PIPING IN OUTSIDE WALL DETAIL**

NO SCALE



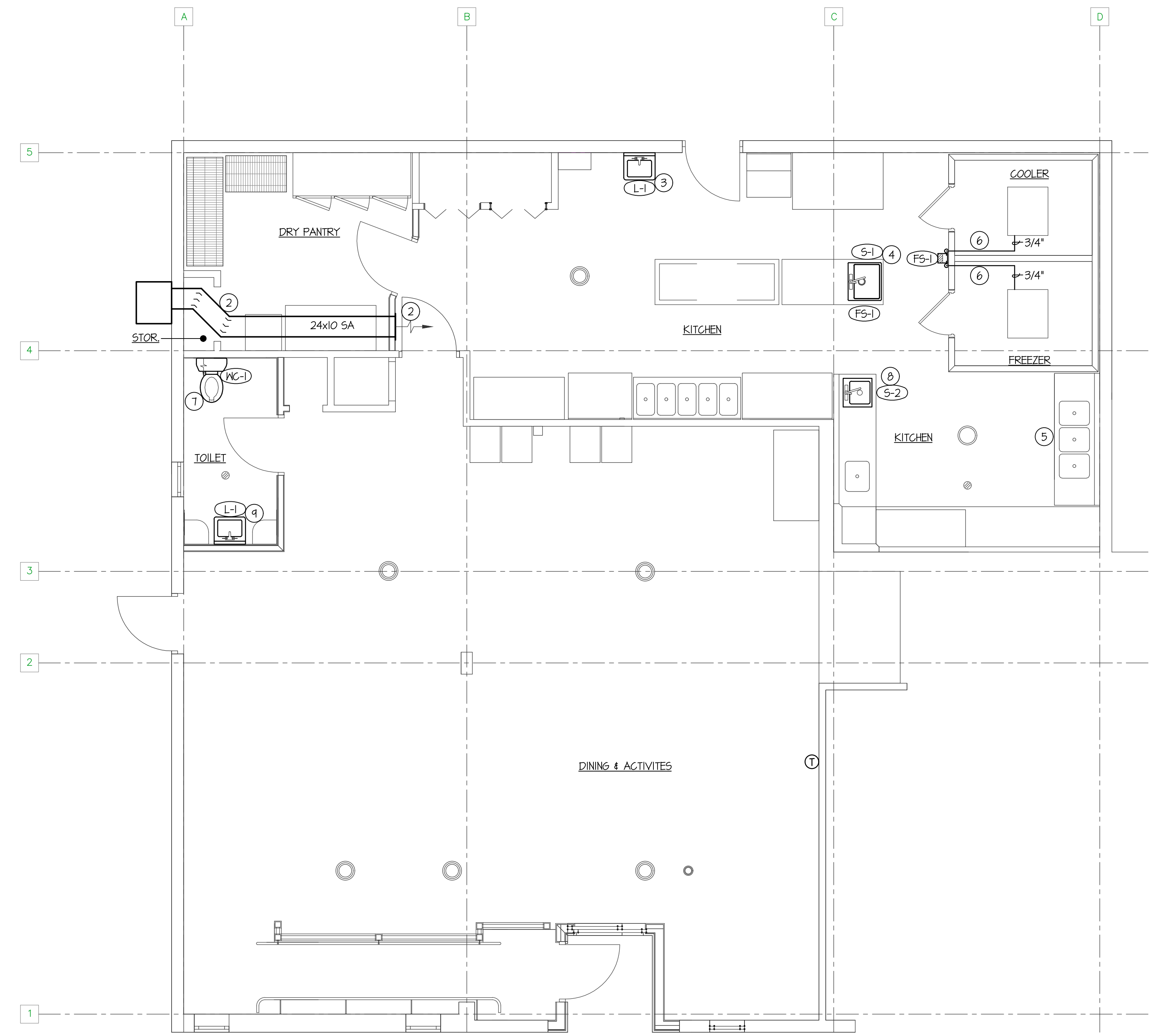
**VENT IN OUTSIDE WALL DETAIL**

NO SCALE



**CAN WASH AND FLOOR SINK DETAIL**

NO SCALE



**MECHANICAL & PLUMBING FLOOR PLAN**

SCALE: 1/4" = 1'-0"



**PLAN NOTES:**

- RELOCATED TRIFLE COMPARTMENT SINK. EXTEND WATER LINES IN CEILING. FIELD VERIFY EXISTING WASTE ROUTE.
- RELOCATE EXISTING GRILLE TO NEW LOCATION. EXTEND DUCT AS REQUIRED. FIELD VERIFY EXISTING DUCT SIZE. RUN AS HIGH AS POSSIBLE.
- RUN NEW 1/2" HOT WATER LINE FROM NEAREST 3/4" HOT WATER LINE IN CEILING SPACE TO NEW SINK. SEE DETAIL ON THIS SHEET FOR RUNNING WASTE, WATER, AND VENT IN OUTSIDE WALL.
- NEW ISLAND SINK TO HAVE INDIRECT WASTE INTO NEW FLOOR SINK BELOW SAME CUT FLOOR FOR NEW WASTE WATER & VENT ROUTE FROM NEAREST EXISTING. RISE VENT IN WALL TO VTR. FIELD VERIFY NEAREST EXISTING LOCATION OF WASTE, WATER & VENT.
- RUN NEW 1/2" HW & CW EXPOSED FROM CEILING SPACE & DOWN THRU BACKSLASH OF TRIFLE COMPARTMENT SINK. MODIFY BACKSLASH AS REQUIRED. RE-INSTALL SINK AFTER NEW FINISH FOR FLOOR. MAINTAIN EXISTING INDIRECT WASTE.
- RUN NEW 3/4" CONDENSATE DRAIN FROM EVAPORATOR COIL TO NEW FLOOR SINK. HEAT TRACE CONDENSATE LINES IN FREEZER.
- MODIFY ROUGH-IN FOR NEW TOILET LOCATION. INSTALL NEW TOILET AS SPECIFIED.
- RUN NEW 1/2" HW & CW LINE EXPOSED UNDER TABLE TO NEW SINK. RUN NEW WASTE HORIZONTALLY TO NEAREST EXISTING AND CONNECT. RISE NEW VENT IN NEAREST WALL TO EXISTING VTR OR BRANCH LINE.
- CONNECT NEW LAVATORY TO EXISTING WASTE, WATER & VENT LINES. MODIFY ROUGH-IN AS REQUIRED.

**PLUMBING LEGEND**

SYMBOL	DESCRIPTION
V	VENT
VTR	VENT THRU ROOF
CO	CLEANOUT
WCO	WALL CLEANOUT
COTG	CLEANOUT TO GRADE
—	PIPE DROP
—	PIPE RISE
—	BALL TYPE ISOLATION VALVE
—	SOIL OR WASTE PIPING
—	VENT LINE PIPING
—	DOMESTIC COLD WATER PIPING
F	FIRE SPRINKLER LINE
—	DOMESTIC HOT WATER PIPING
G	GAS PIPING
CD	CONDENSATE DRAIN PIPING

**GENERAL NOTES:**

- A- THE CONTRACTOR SHALL CHECK AND VERIFY ALL DIMENSIONS AND CONNECTIONS ON THE JOB SITE. ALL WORK SHALL BE EXECUTED FROM MEASUREMENTS TAKEN AT THE SITE.
- B- THE MECHANICAL CONTRACTOR SHALL BE RESPONSIBLE TO INSURE PROPER CODE CLEARANCES FOR ELECTRICAL AND MECHANICAL ACCESS WHEN INSTALLING ANY EQUIPMENT SUPPLIED BY THE MECHANICAL CONTRACTOR.
- C- IT IS CRITICAL THAT THIS CONTRACTOR COORDINATE EQUIPMENT LOCATIONS WITH PIPING, DUCTWORK, ELECTRICAL CONDUIT AND BUILDING STRUCTURE TO INSURE CODE COMPLIANCE.
- D- CEILING DIFFUSERS ARE SHOWN IN APPROXIMATE LOCATIONS. REFER TO LIGHTING PLANS AND REFLECTED CEILING PLAN FOR EXACT LOCATIONS.
- E- DUCT DIMENSIONS CALLED OUT ON DRAWINGS ARE INSIDE FREE AREA DIMENSIONS. ACOUSTICAL DUCT LINER ARE TO BE ADDED TO OVERALL MEASUREMENTS.
- F- ALL DUCTWORK AND PIPING WHICH PASSES THRU FIRE RATED WALLS TO BE FIRE STOPPED WITH APPROVED FOAM OR SEALANT. REFER TO SPECIFICATIONS FOR APPROVED MANUFACTURERS.

**FIXTURE SCHEDULE**

SYM.	DESCRIPTION	HOT	COLD	WASTE	VENT
L-1	ADA WALL HING LAVATORY - KOHLER K-2032 'GREENWICH' WITH WALL CARRIER, MOEN L4600 LEVER HANDLE FAUCET, K-TT15 OPEN GRID STRAINER WITH OFFSET WASTE LINE, 1/2" STOPS AND 1-1/4" P-TRAP. PROVIDE INSULATING JACKET ON HW AND WASTE PIPING.	1/2"	1/2"	1-1/2"	1-1/2"
S-1	SINGLE COMPARTMENT SINK - ELKAY MODEL ECTS5R25224B6 KIT WITH 18 GA TYPE 304 STAINLESS STEEL CONSTRUCTION, 1-HOLE FAUCET DRILLING, ELKAY LK6T1041 FAUCET, TYPE 304 STRAINER KIT, 1-1/2" P-TRAP AND 1/2" BALL TYPE STOP VALVES.	1/2"	1/2"	1-1/2"	1-1/2"
S-2	SINGLE COMPARTMENT SINK - PROVIDED BY KITCHEN EQUIPMENT SUPPLIER. CONNECT HOT & COLD WATER, WASTE & VENT TO EXISTING PIPING.	1/2"	1/2"	1-1/2"	1-1/2"
FS-1	FLOOR SINK - ZURN Z-1900-KG WITH WHITE ENAMEL FINISH, DOME STRAINER AND 4" DEEP SEAL P-TRAP. PROVIDE 3/4" GRATE OVER SINK.	---	---	2"	2"
WC-1	ADA TANK TYPE WATER CLOSET - KOHLER K-342T 'HIGHLINE' W/ ELONGATED BOWL, K-4610-C WHITE OPEN FRONT SEAT, BOLT CAPS AND 1/2" STOP VALVE.	---	1/2"	4"	2"

**GRILLE AND REGISTER SCHEDULE**

SYM.	TYPE	SIZE	CFM RANGE	THROW PATTERN	CONSTR.	FINISH	BALANCING DAMPER	FIRE DAMPER	REMARKS
D-1	SIDEWALL	12x6	50		STEEL	WHITE	NA	NA	PRICE MODEL 520 D

COPYRIGHT 2017  
 JENSEN-HAYES-SHROPSHIRE ARCHITECTS, P.A.  
 125 N. GARFIELD AVE.  
 POCATELLO, IDAHO 83204  
 208-232-1223 (Fax: 208-232-1226)

**JHS**  
 JENSEN-HAYES-SHROPSHIRE ARCHITECTS, P.A.

**ABERDEEN SENIOR CENTER**  
 92 W. WASHINGTON AVE., ABERDEEN, IDAHO

**MECHANICAL & PLUMBING FLOOR PLAN**

REVISIONS:

DATE: JAN 2018  
 DRAWING NO. **MP1.1**  
 JOB NO. 1818  
 1 OF 2

PROFESSIONAL ENGINEER REGISTERED 5762  
 DURAYNE C. SUDMECKERS  
 STATE OF IDAHO

**Engineered Systems Associates**  
 1355 EAST CENTER  
 POCATELLO, IDAHO 83201  
 PHONE: (208) 233-0501  
 FAX: (208) 233-0529  
 EMAIL: eso@engsystems.com  
 ESA JOB NUMBER: 18095